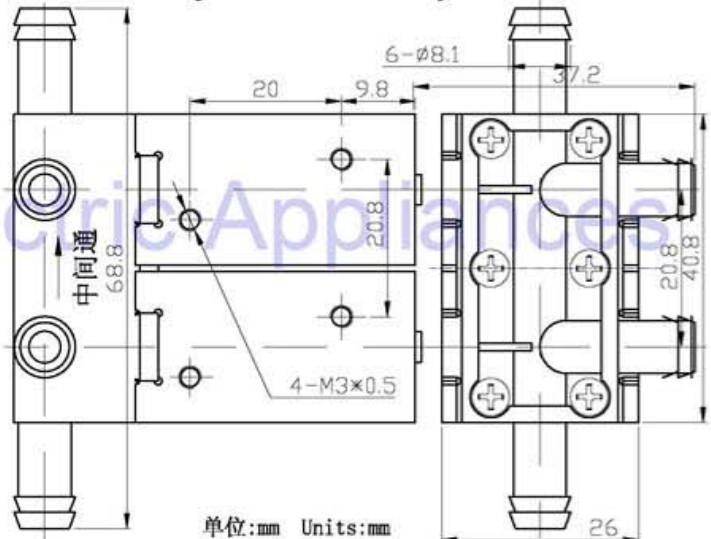


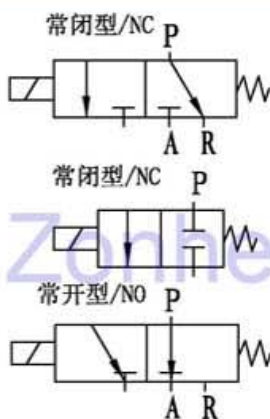
## ZHV-0837L/S Solenoid Valve

ISO/TS16949 ISO9000 ISO14000  
RoHS REACH CE UL VDE TÜV

类型: 二位三通/二位二通 TYPE:two position Three way  
TYPE:Two position two way



总重量 Total Weight: 152(76\*2)g  
应用范围: 按摩椅、气垫床  
APPLICATION: MASSAGER CHAIR



### 综合特性 GENERAL FEATURES

1. 常用压力: 0~750mmHg/0~1Bar  
Pressure: 0~750mmHg/0~1Bar
2. 最小通径: ø3.4mm  
Min Orifice: ø3.4mm
3. 流体介质: 空气.  
Fluid medium: Air
4. 寿命: 典型值为100万次 (on 1s, off 1s)  
Lify cycle: 1,000,000 cycles (on 1s, off 1s)
5. 绝缘等级: B类  
Insulation class: class B

### COIL DATA线圈资料

$$\text{工作周期}(\%) = \frac{\text{工作时间}}{\text{工作时间} + \text{断开时间}} \times 100\%$$

$$\text{Duty cycle}(\%) = \frac{\text{"ON" time}}{\text{"ON" time} + \text{"OFF" time}} \times 100\%$$

最大工作时间(秒) MAX. "on" time in seconds

瓦特(W) (20°C) Watts at 20°C

安匝数AT(20°C) Ampere-turns at 20°C

	连续 Continuous 100%	间断 Or less 50%	间断 Or less 25%	间断 Or less 10%
最大工作时间(秒) MAX. "on" time in seconds	∞	100	36	7
瓦特(W) (20°C) Watts at 20°C	4	8	16	40
安匝数AT(20°C) Ampere-turns at 20°C	600	850	1200	1900

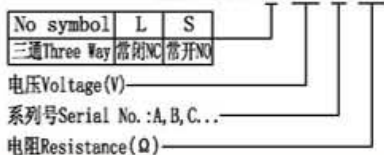
型号 Type no.

阻值(20°C)  
Resistance  
(Ω) ±10%

线圈匝数  
No. Turns

电压(VDC)  
Voltage DC

ZHV-0837L-XX A XX



9	980	6	8.5	12	19
36	1700	12	17	24	38
144	3600	24	34	48	76
576	7300	48	68	96	152